

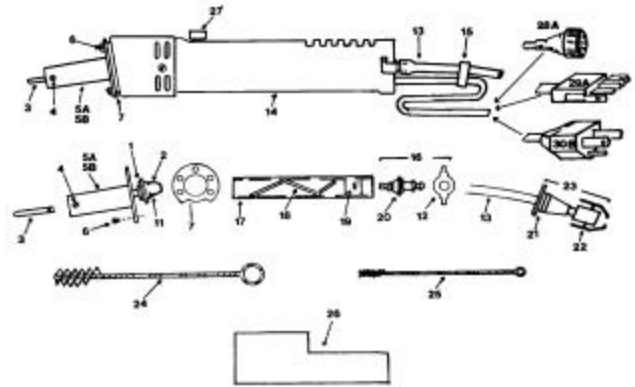
SOLDER EXTRACTOR

MODEL EX-1000, EX-1500 & EX-1700

ITEM DESCRIPTION

A.P.E. Part No.

1.	Seal Support	6700-0028
2.	Seal Forward assembly	6700-3700
3.	Desolder Tips	See Page
4.	Set screws	6700-7700-P10
5.	Heater & Seal Assembly (24v)	6700-0024
	Heater & Seal Assembly (24V, 60 w)	6700-6024
	Heater & Seal Assembly (110V)	6700-0045
	Heater & Seal Assembly (24V Sensor)	6700-1724
	Heater & Seal Assembly (24V Micro)MBT®	6700-0055
	Heater & Seal Assembly (24V, 60w Micro) MBT®	6700-6055
6.	Heater Retaining Screws	6700-7017-P3
7.	Heater Insulator	6700-3813-P2
11.	Seal, Hi-temp Silicone	6700-7201
12.	End Cap Retaining Clip	6700-7302
13.	Tubing 6' Length	7000-8790
	Tubing 12' Length	7000-8701
14.	Handpiece Replacement Assembly	6700-0287
15.	Hose Clamp, Tubing	6700-2002-P5
16.	End Assembly	6700-7300
17.	Glass tube	6700-3200-P6
18.	"S" Baffle	6700-4100
19.	Glass Tube Filters (25 pk)	6700-0100-P25
	Glass Tube Filters (50 pk)	6700-0100-P50
20.	Rear Seal	6700-7200
21.	Stop Clog Filter-Fixed (Disposable)	3000-5002
	Stop Clog Filter-Replaceable (2 parts)	3000-5003
	Replacement Elements,Stop-Clog (10 pk)	3000-5001-P10
	Replacement Elements,Stop-Clog (25 pk)	3000-5001-P25
	Replacement Elements,Stop-Clog (50 pk)	3000-5001-P50
22.	Quick Disconnect (Vacuum/Pressure)	6700-8799
23.	Stop Clog Filter Assembly	6700-5000
24.	Glass Tube Bristle Cleaning Brush	6700-0010
25.	Heater Assembly Wire Cleaning Brush	6700-0112
26.	Handpiece Insulator	6700-0286
27.	Finger Acuation Switch	6700-0150
28A.	Line Cord Assembly (24V DIN Plug)	4000-8415
29A.	Line Cord Assembly (24V Cinch Plug)	6700-4024
30B.	Line Cord Assembly (110V Nema Plug)	6700-4000
31.	Line Cord Assembly (24V Sensor only)	4000-8417



EX-1500 Anti-Static Desolder Handpiece

Handpiece Complete(120v)	1500-6700
Handpiece Alone (120V)	1500-6701
Handpiece Complete (24V Cinch Plug)	1500-0024
Handpiece Alone (24V Cinch Plug)	1500-6724
Handpiece Complete (24V DIN Plug)	1505-6700
Handpiece Alone (24V DIN Plug)	1505-6701
Handpiece Comp. (24V DIN Plug w/Finger Sw)	1005-6703
Handpiece Alone (24V DIN Plug w/Finger Sw)	1005-6704

EX-1700 Sensor Desolder Handpiece

Handpiece Complete (24V)	1700-6700
Handpiece Alone (24V)	1700-6701

Handpiece Complete Consist of:

<i>Desolder Tool w/Heater</i>	6700-5000
<i>Stop-Clog Filter Assembly</i>	7000-8790
<i>Tube Assembly</i>	6700-4223
<i>Desolder Tip Kit (1 each Standard Size)</i>	6700-0010
<i>Bristle Brush (1 Each)</i>	6700-0112
<i>Wire Brush (1 Each)</i>	6700-8799
<i>Quick Disconnect (1 Each)</i>	6700-2002-P5
<i>Hose Clamps</i>	

EX-1000 Desolder Handpiece

Handpiece Complete (110v)	1000-6700
Handpiece Alone (110V)	1000-6701
Handpiece Complete (24V Cinch Plug)	1000-0024
Handpiece Alone (24V Cinch Plug)	1000-6724
Handpiece Complete (24V, 5 Wire DIN Plug)	1005-6700
Handpiece Alone (24V, 5 Wire DIN Plug)	1005-6701

Contents Handpiece Alone:

<i>Desolder Tool w/Heater</i>	6700-5000
<i>Stop-Clog Filter Assembly</i>	7000-8790
<i>Tube Assembly</i>	